

GAUGE VALVE

Features

- The wetted part made of corrosion-resistant plastic.
Sealing with Diaphragm.
- Easy to set, only requiring the gauge pipe and tightening the union nut.
- Equipped with drain plug useful for maintenance (allowing for collection of sample solution).



Basic specifications

- Valve Type : Gauge Valve
- Size : 20mm (3/4"), 25mm (1")
- Body Material : U-PVC (Conforming to ASTM D1784 Cell Classification 12454A)
PP (Conforming to ASTM D4101 Cell Classification PP0210B67272)
- Seal Material : EPDM, PTFE
- Connection / Flanged : JIS B2220 10K, DIN/EN1092-1, ANSI B16.5

Body Material	FLUID TEMPERATURE °C {°F}	Maximum working pressure (Normal temperature) MPa {psi }
U-PVC	0 ~ 50 { 30 ~120 }	0.5 { 70 }
PP	0 ~ 80 { 30 ~175 }	0.5 { 70 }

Note::

The maximum working pressure is the value including the water hammer pressure. Be careful that the maximum working pressure is not exceeded during use.

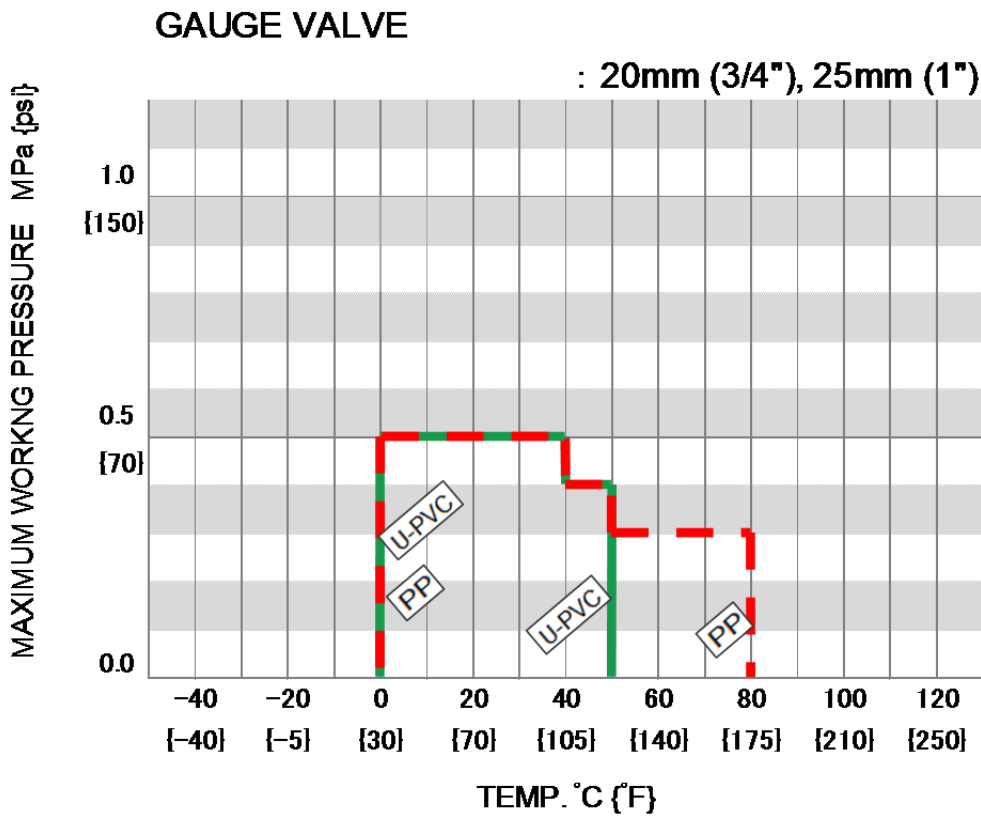
- * Concerning the allowable pressure for each temperature and material, see the technical documents at the next page of this sheet.

Certificate / Approval / Directive

PED, ABS, NSF/ANSI61

“For details of applicable products, please consult us.”

Working pressure vs. Temperature

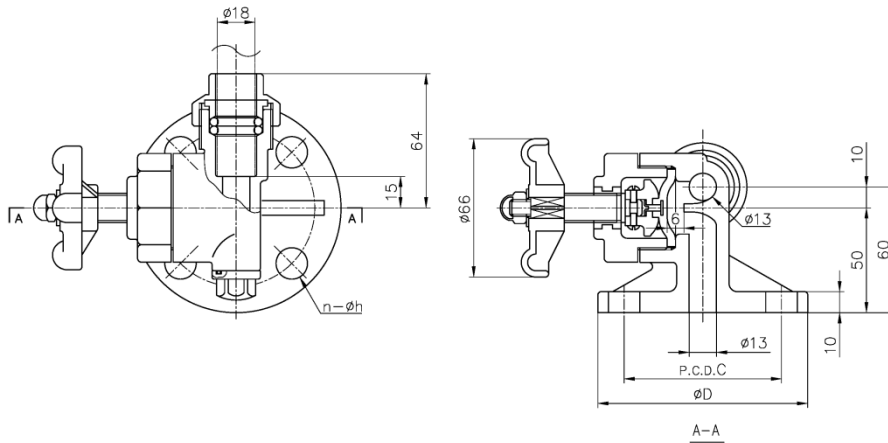


Note:

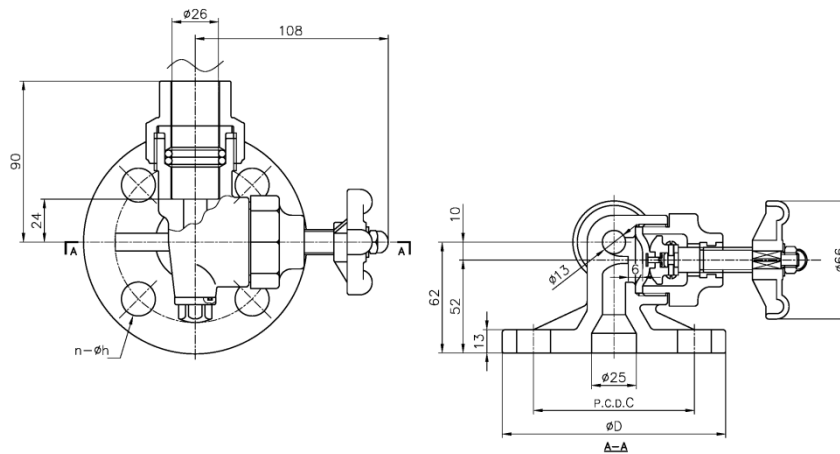
Make sure that the temperature and pressure are within the working range during operation.
(If the tolerance range is exceeded during use, the valve may be damaged.)

Product dimension (Unit: mm)

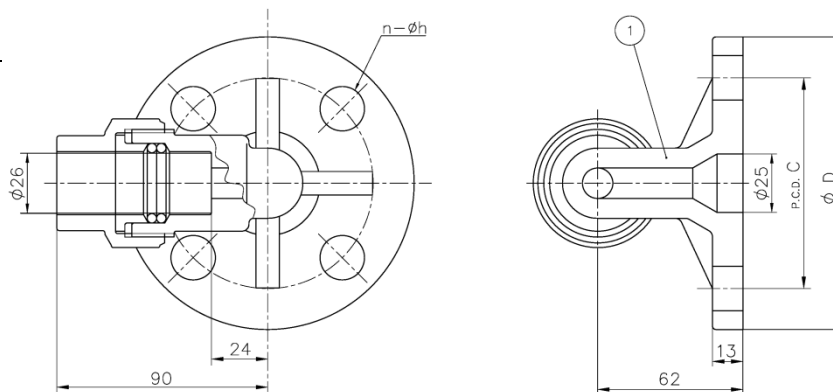
**JIS10K
20mm (3/4")**



**JIS10K
25mm (1")**



**Flanged elbow
JIS10K
25mm (1")**



■ JIS, DIN (Unit: mm)

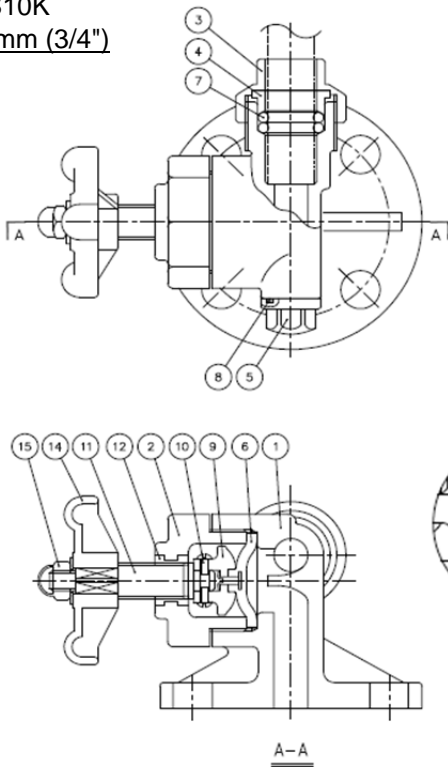
		JIS 10K				DIN PN10			
mm	inch	D	C	n	h	D	C	n	h
20	3/4	100	75	4	15	105	75	4	14
25	1	125	90	4	19	115	85	4	14

■ ANSI (Unit: inch)

		ANSI Class150			
mm	inch	D	C	n	h
3/4	20	3.88	2.75	4	0.62
1	25	4.25	3.12	4	0.62

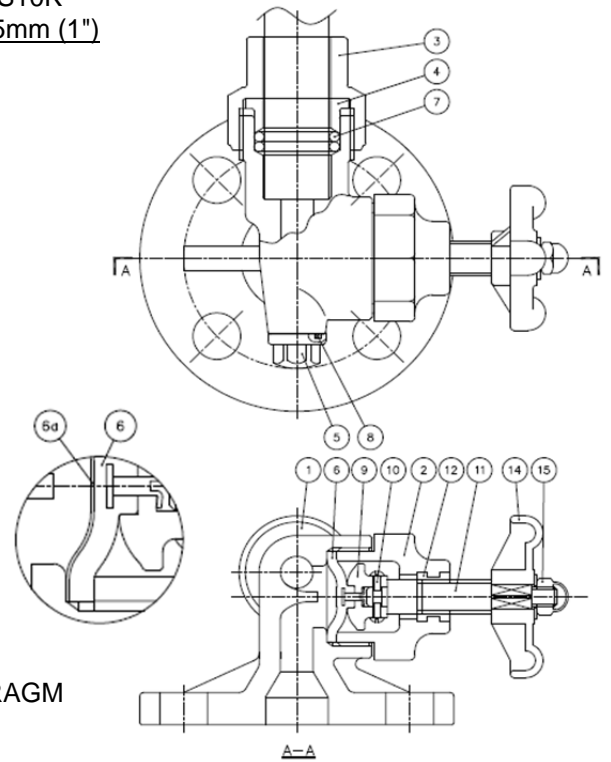
Parts list

JIS10K
20mm (3/4")

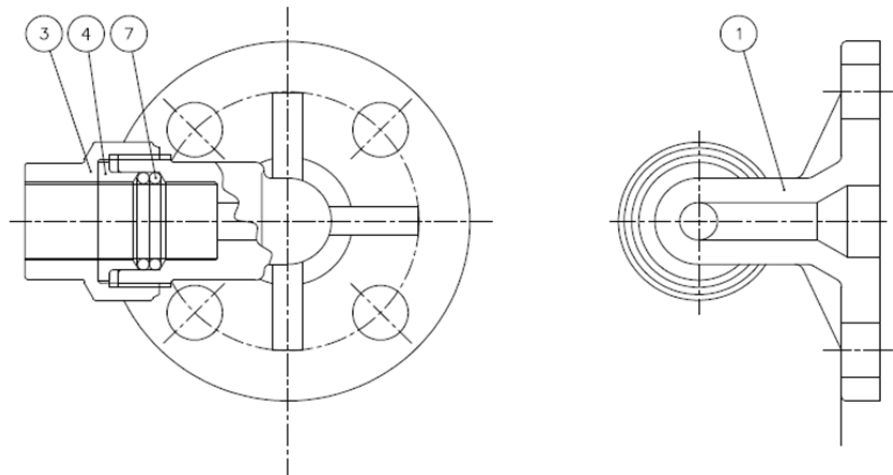


JIS10K
25mm (1")

In case of
used for PTFE DIAPHRAGM



Flanged elbow
JIS10K
25mm (1")



PART NO./NAME	QTY	MATERIAL	PART NO./NAME	QTY	MATERIAL
1 BODY	1	U-PVC, PP	9 COMPRESSOR	1	PVDF
2 BONNET	1	U-PVC, PP	10 COMPRESSOR PIN	2	STAINLESS STEEL
3 UNION NUT	1	U-PVC, PP	11 STEM	1	COPPER ALLOY
4 PACKING GLAND	1	U-PVC, PP	12 EMBEDDED BONNET FITTING	1	COPPER ALLOY
5 DRAIN PLUG	1	U-PVC, PP	13 MATERIAL INDICATION SHEET	1	Silver label
6 DIAPHRAGM	1	EPDM	14 HANDLE	1	PP
7 O-RING (A)	2	EPDM, PTFE	15 NUT	1	STAINLESS STEEL
8 O-RING (B)	1	EPDM, PTFE	6a PTFE DIAPHRAGM	1	PTFE

When the diaphragm material is PTFE, the O-ring material is also PTFE.

Product weight

GAUGE VALVE

Unit: kg

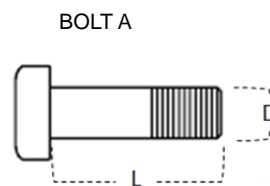
mm	inch	U-PVC	PP
20	3/4	0.4	0.3
25	1	0.6	0.5

PIPE BOLT DIMENSIONS (REFERENCE)

GAUGE VALVE

Unit: mm

SIZE	mm	20	25
	inch	3/4	1
SCREW SIZE (D)		M12	M16
NO.OF FLANGE HOLE		4	4
FLANGE THICKNESS		15	15
NOMINAL LENGTH GAUGE VALVE (L)		55	60



The above values indicate the bolt dimensions when an AV TS flange and AV packing are used.

Product model code list

GAUGE VALVE

ACTUATION	TYPE	OPERATING SYSTEM	BODY MATERIAL	SEAL MATERIAL	CONNECTION / STANDARD	SIZE
V	GE	MH	*	*	**	***
: V MANUAL VALVE	: GE GAUGE VALVE	: MH ROUND HANDLE	: U U-PVC P PP	: E EPDM T PTFE	: F1 FLANGED, 10K FD FLANGED, DIN FA FLANGED, ANSI	: 020 20mm 025 25mm

Installation, Operation and Maintenance Manual

"For details of Installation, Operation and Maintenance, please refer IOM at below link"

http://www.asahi-yukizai.co.jp/en/product/mt_pdf/a_manual_valve_6_002.pdf