

Butterfly Valve Type 58 (Manual Type)

Features

- Lightweight
Optimized valve design allows for weight of 1/2 (-190Kg) compared to 700 mm(28") PDCPD Large Size Butterfly Valve.
- Short Face to Face Dimension
Face-To-Face dimension compliant with international ISO short standard.
- Excellent Corrosion Resistance
Extended the disc and seat variation (PP, PVDF Disc and EPDM, NBR or FKM) seat ensure excellent corrosion resistance.



Basic specifications

- Valve Type : Butterfly Valve Type 58
- Size : 700 mm (28 inch)
- Body Material : PDCPD
- Seal Material / Seat : EPDM, FKM, NBR
- Connection / Wafer : JIS B2220 10K, DIN/EN1092-1, ANSI B16.5

		FLUID TEMPERATURE °C {°F}	MAXIMUM WORKING PRESSURE (NORMAL TEMPERATURE) MPa {psi}
			FOR WAFER
PDCPD	(700mm)	0 ~ 80 { 30~175 }	0.75 {110}

Note: The maximum working pressure is the value including the water hammer pressure.
Be careful that the maximum working pressure is not exceeded during use.

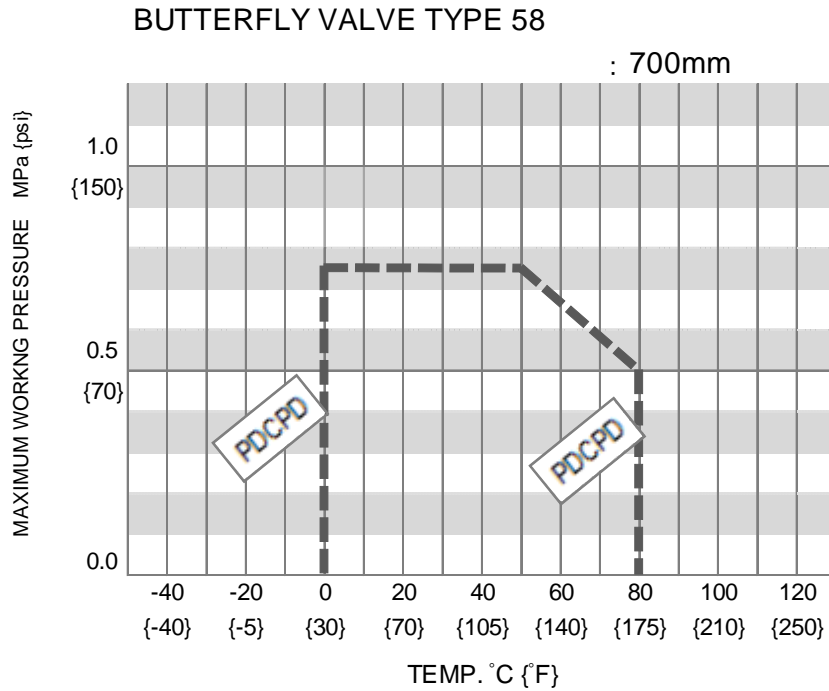
* Concerning the allowable pressure for each temperature and material, see the technical documents at the next page of this sheet.

Certificate / Approval

PED

“For details of applicable products, please consult us.”

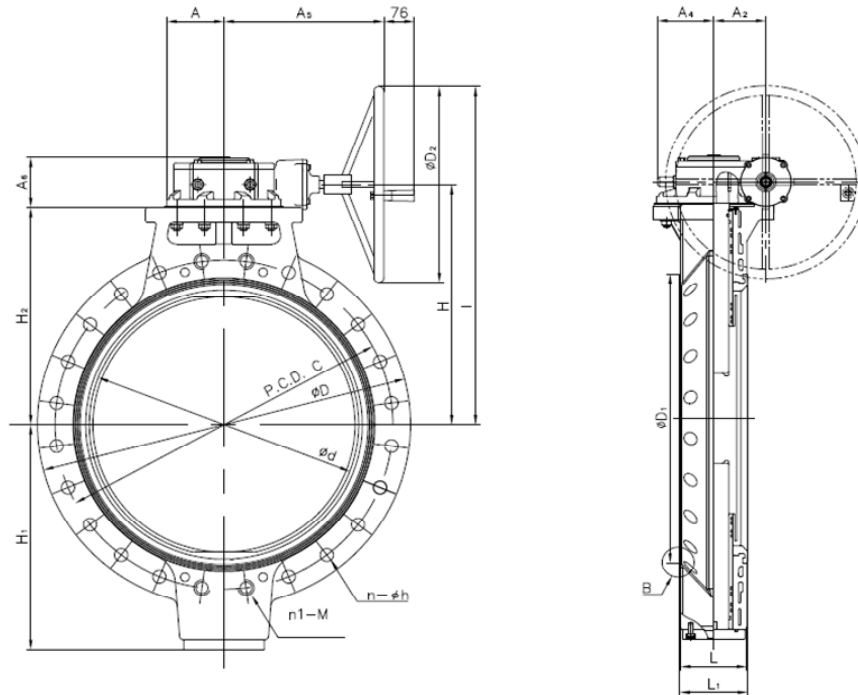
Working pressure vs. Temperature



Note: Make sure that the temperature and pressure are within the working range during operation.
(If the tolerance range is exceeded during use, the valve may be damaged.)

Product dimension

[GEAR TYPE]
[700 mm]



■ JIS, DIN (Unit: mm)

mm	inch	d	D	D ₁	D ₂	L	L ₁	H	I	H ₁	H ₂	A	A ₂	A ₄	A ₅	A ₆
700	28	670	925	750	500	165	169	613	863	574	555	142.5	130	140	397.5	127

JIS 10K								DIN PN10							
C	h	N Number of Bolt Holes	n Through hole	n1 screw holes		M	B	C	h	N Number of Bolt Holes	n Through hole	n1 screw holes		M	B
				/side	/total							/side	/total		
840	33	24	20	4	8	M30	28	840	30	24	20	4	8	M27	28

■ ANSI (Unit: inch)

inch	mm	d	D	D ₁	D ₂	L	L ₁	H	I	H ₁	H ₂	A	A ₂	A ₄	A ₅	A ₆
28	700	26.38	36.42	29.53	19.69	6.50	6.65	24.13	33.98	22.60	21.85	5.61	5.12	5.51	15.65	5.00

ANSI Class 150							
C	h	N Number of Bolt Holes	n Through hole	n1 screw holes		M	B
				/side	/total		
34.00	1.38	28	24	4	8	1 1/4 - 7 UNC	1.10

■ JIS, DIN, ANSI

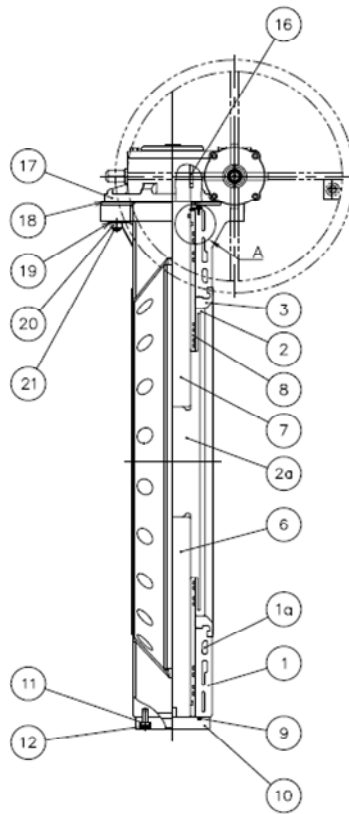
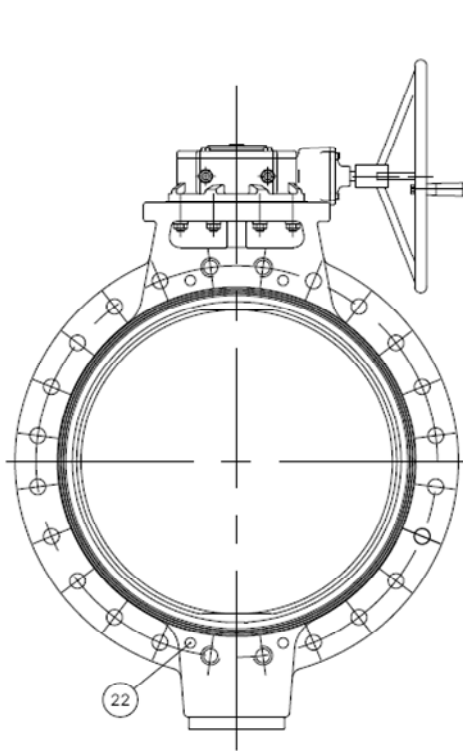
mm	inch	Number of handle rotation	GEAR BOX Model No.
700	28	55	AB1950N PR4

NOTE: Dimensions "L" is equivalent to ISO5752 flangeless (wafer) short.

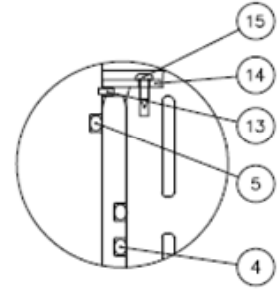
The shape and appearance of assembly differ a little with nominal size compared to this drawing.

Parts list

[GEAR TYPE]
[700 mm]

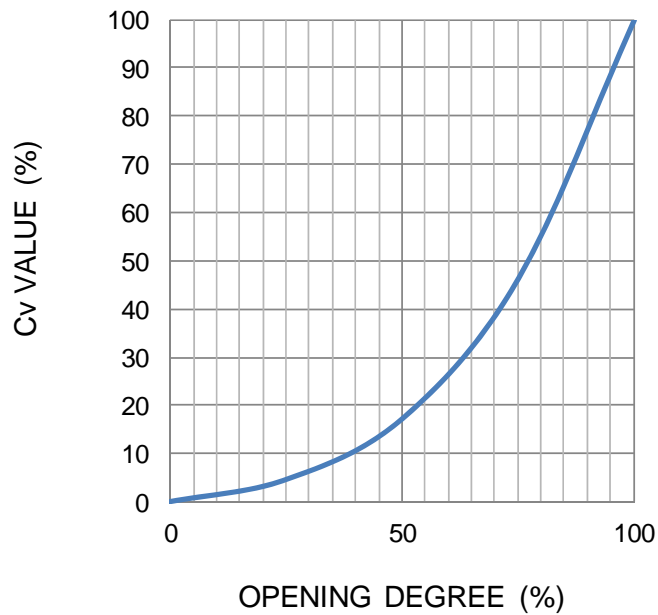


Detail of Part A



PART NO./NAME	QTY	MATERIAL	PART NO./NAME	QTY	MATERIAL	PART NO./NAME	QTY	MATERIAL
1	1	PDCPD	18	1	EPDM, FKM, NBR	16	1	CARBON STEEL
1a	2	STEEL CASTING STAINLESS	6	1	STAINLESS STEEL, Others	17	1	CAST IRON (Polyurethane Coat.)
2	1	PP, PVDF	7	1	STAINLESS STEEL, Others	19	8	STAINLESS STEEL
8	2	PP, PVDF	10	1	ABS	20	8	STAINLESS STEEL
2a	1	AC4C	11	4	STAINLESS STEEL	21	8	STAINLESS STEEL
3	1	EPDM, FKM, NBR	12	4	STAINLESS STEEL	22	8	EPDM
4	16	EPDM, FKM, NBR	13	1	STAINLESS STEEL			
5	1	EPDM, FKM, NBR	14	1	ABS			
9	1	EPDM, FKM, NBR	15	4	STAINLESS STEEL			

Cv value for each opening degree



mm	700
inch	28
BUTTERFLY VALVE TYPE 58	40,185

Handle rotation [Full open (rotation/lift) Full close]

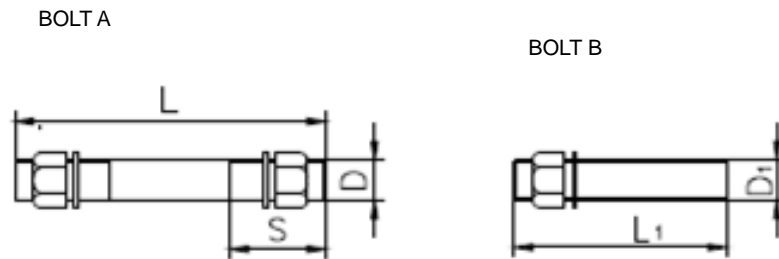
mm	700
inch	28
Number of Handle Rotation	55

Operating torque

UNIT : N · m

mm	700
inch	28
Operation torque (O→S)	3,500

Dimension of bolt length (reference:recommended data)



BUTTERFLY VALVE TYPE 58

■ JIS 10K

UNIT : mm

mm	inch	BOLT A			BOLT B		QTY		
		d	L	S	d ₁	L ₁	BOLT A	BOLT B	NUT / WASHER
700	28	M30	320	66	M30	105	20	8	48

The bolt dimension when a JIS B2238 "steel pipe flange" (nominal pressure 10K, corrugated) is used.
 The quantity of nuts and washers for Bolt A indicates the number of 2 sets (1 bolt / 2 nuts, 2 washers).
 The quantity for Bolt B indicate the number of 1 set (1 bolt / 1 nut, 1 washer).

Product weight list (reference)

BUTTERFLY VALVE TYPE 58

[MANUAL]

Unit: kg

mm	inch	PDCPD	
		DISC:PP	DISC:PVDF
700	28	190	210

Product model code list

ACTUATION	TYPE	OPERATING SYSTEM	BODY MATERIAL	SEAL MATERIAL	CONNECTION	STANDARD	SIZE	DISC PVDF
V	58	SG	D	*	W	*	700	01M ※
: V MANUAL VALVE	: 58 TYPE 58	: SG GEAR TYPE	: D PDCPD	: E EPDM V FKM	: W WAFER	: 1 JIS 10K D DIN A ANSI	: 700 700mm	: ※Used when the disc material is PVDF.

Installation, Operation and Maintenance Manual

"For details of Installation, Operation and Maintenance, please refer IOM at below link"

http://www.asahi-yukizai.co.jp/en/product/mt_pdf/a_manual_valve_3_09.pdf