

Butterfly Valve Type 75 (Manual Type)

Features

- Small face-to-face dimension facilitates mounting on piping.



Basic specifications

- Valve Type : Butterfly Valve Type 75
- Size : 450 mm - 600 mm (18 inch - 24 inch)
- Body Material : PP, PVDF
- Seal Material / Seat : EPDM, FKM, etc.
- Connection / Wafer : JIS B2220 10K, DIN/EN1092-1, ANSI B16.5

	FLUID TEMPERATURE °C {°F}	MAXIMUM WORKING PRESSURE (NORMAL TEMPERATURE) MPa {psi}	
		450 mm	500-600 mm
PP	-20 ~ 80 { -5~175 }	0.5 { 70 }	0.35 { 50 }
PVDF	-20 ~ 120 { -5~250 }	0.5 { 70 }	0.35 { 50 }

Note: The maximum working pressure is the value including the water hammer pressure.
Be careful that the maximum working pressure is not exceeded during use.

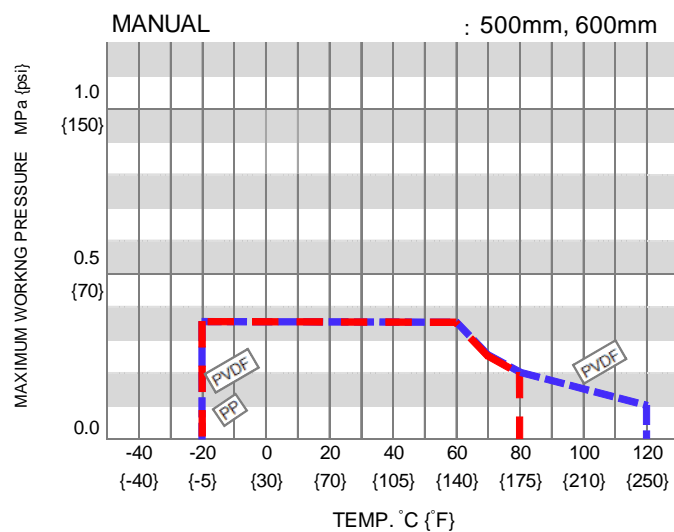
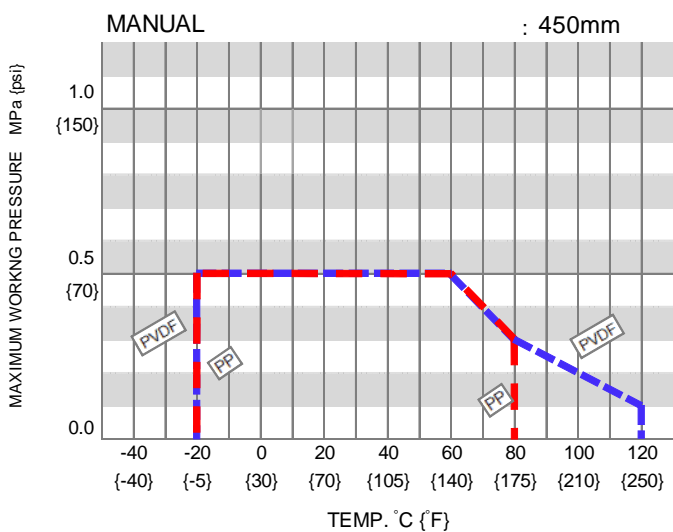
* Concerning the allowable pressure for each temperature and material, see the technical documents at the next page of this sheet.

Certificate / Approval

PED

“For details of applicable products, please consult us.”

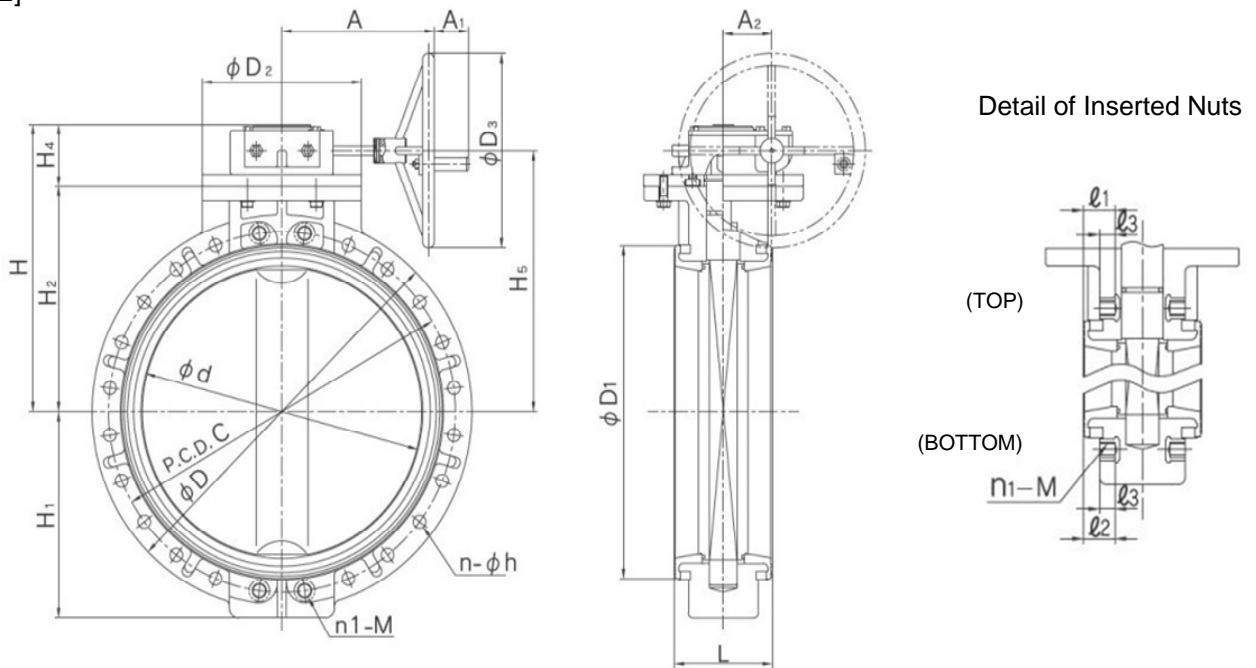
Working pressure vs. Temperature



Note: Make sure that the temperature and pressure are within the working range during operation.
 (If the tolerance range is exceeded during use, the valve may be damaged.)

Product dimension

[GEAR TYPE]



■ JIS, DIN (Unit: mm)

mm	inch	d	D		D ₁	D ₂	D ₃	L	H	H ₁	H ₂	H ₄	H ₅	A	A ₁	A ₂	Open / Close Rotation
			PP	PVDF													
450	18	452	633	630	525	340	400	179	497	315	370	127	443	326	75.5	104.5	13.75
500	20	502	683	680	575	340	400	190	527	350	400	127	473	326	75.5	104.5	13.75
600	24	603	793	790	686	340	400	209	592	424	465	127	538	326	75.5	104.5	13.75

■ JIS10K (Unit: mm)

mm	inch	d	THRU HOLE n	Q'TY OF FITTINGS USED			ℓ	ℓ ₂	ℓ ₃
				TOP	BOTTOM	TOTAL 2xn1			
450	18	M24	16	2X2	2X2	8	49	54	24
500	20	M24	16	2X2	2X2	8	49	59	24
600	24	M30	20	2X2	2X2	8	64	64	30

JIS 10K					DIN PN10		
C	n	h	n ₁	M	C	n	h
565	16	27	4	M24	565	20	26
620	16	27	4	M24	620	20	26
730	20	33	4	M30	725	20	30

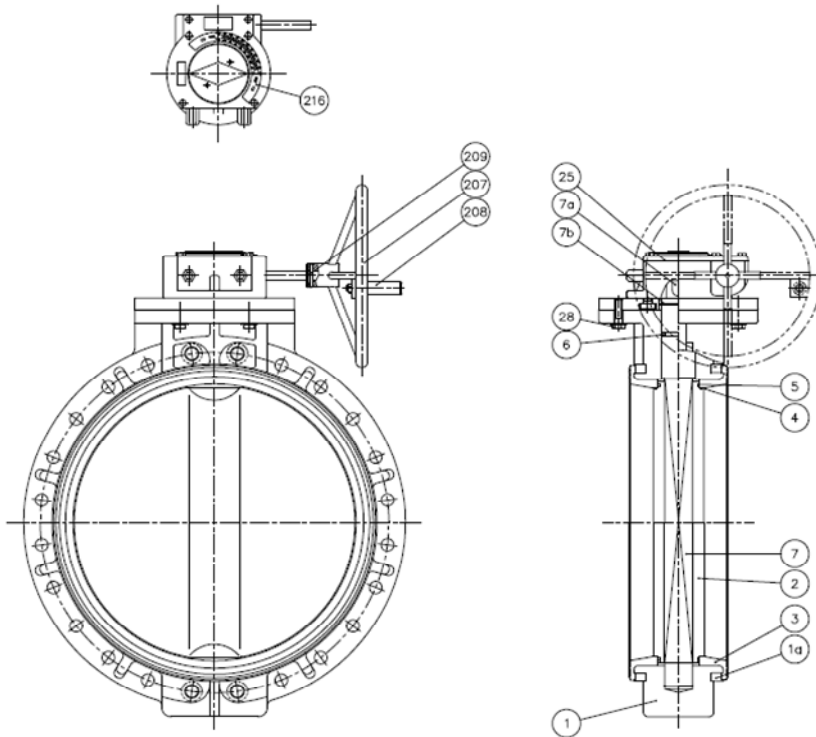
■ ANSI (Unit: inch)

mm	inch	d	D		D ₁	D ₂	D ₃	L	H	H ₁	H ₂	H ₄	H ₅	A	A ₁	A ₂	Open / Close Rotation	ANSI CLASS 150		
			PP	PVDF														C	n	h
450	18	17.80	24.92	24.80	20.67	13.39	15.75	7.05	19.57	12.40	14.57	5.00	17.44	12.83	2.97	4.11	13.75	22.75	16	1.25
500	20	19.76	26.89	26.77	22.64	13.39	15.75	7.48	20.75	13.78	15.75	5.00	18.62	12.83	2.97	4.11	13.75	25.00	20	1.25
600	24	23.74	31.22	31.10	27.01	13.39	15.75	8.23	23.31	16.69	18.31	5.00	21.18	12.83	2.97	4.11	13.75	29.5	20	1.38

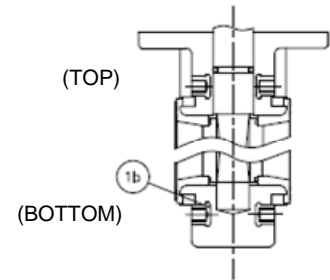
The shape and appearance of assembly differ a little with nominal size compared to this drawing.

Parts list

[GEAR TYPE]



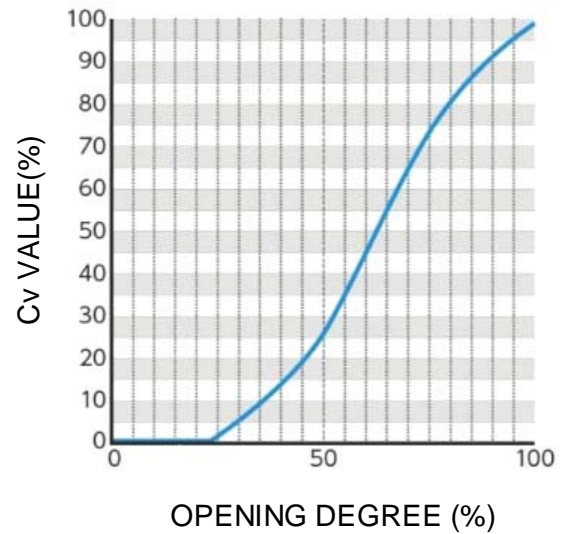
Detail of Inserted Nuts



PART NO./NAME	QTY	MATERIAL	PART NO./NAME	QTY	MATERIAL	PART NO./NAME	QTY	MATERIAL
1	1	BODY / DISC PP / PP PVDF / PVDF	7a	1	CORBON STEEL	208	1	NYLON etc.
2	1		7b	1	STAINLESS STEEL	209	1	STAINLESS STEEL
3	1	EPDM, FKM, Others	25	4	CAST IRON etc. (Polyurethane Coat)	216	1	STAINLESS STEEL
4	2	EPDM, FKM, Others				1a	2	Chromized STEEL with Epoxy Powder Coat.
5	2	EPDM, FKM, Others	28		STAINLESS STEEL	1b	8	COPPER ALLOY
6	1	EPDM, FKM, Others	207	4	CAST IRON etc. (Polyurethane Coat)			
7	1	STAINLESS STEEL						

(1) Only used for JIS 10K standard.

Cv value for each opening degree



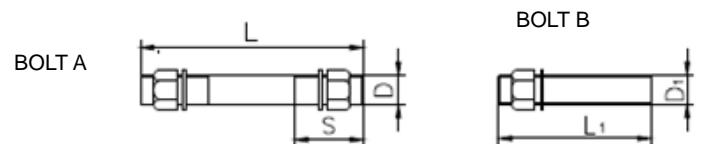
mm	450	500	600
inch	18	20	24
BUTTERFLY VALVE TYPE 75	10,890	14,060	18,500

Stem torque

UNIT : N · m

mm	450	500	600
inch	18	20	24
Stem torque (O→S)	820	1,150	1,600

Dimension of bolt length (reference:recommended data)



BUTTERFLY VALVE TYPE 75

■ JIS 10K

UNIT : mm

mm	inch	BOLT A			BOLT B		QTY		
		d	L	S	d ₁	L ₁	BOLT A	BOLT B	NUT / WASHER
450	18	M24	310	65	M24	120	16	8	40
500	20	M24	320	65	M24	120	16	8	40
600	24	M30	350	75	M30	140	20	8	48

The bolt dimension when a JIS B2238 "steel pipe flange" (nominal pressure 10K, corrugated) is used.
 The quantity of nuts and washers for Bolt A indicates the number of 2 sets (1 bolt / 2 nuts, 2 washers).
 The quantity for Bolt B indicate the number of 1 set (1 bolt / 1 nut, 1 washer).

Product weight list (reference)

TYPE 75 GEAR TYPE [MANUAL] Unit: kg

mm	inch	TYPE 75	
		PP	PVDF
450	18	95.5	103.0
500	20	112.0	124.0
600	24	136.0	157.0

Product model code list

ACTUATION	TYPE	OPERATING SYSTEM	BODY MATERIAL	SEAL MATERIAL	CONNECTION	STANDARD	SIZE
V	75	SG	*	*	W	*	* * *
:	:	:	:	:	:	:	:
V MANUAL VALVE	75 TYPE 75	SG GEAR TYPE	P PP F PVDF	E EPDM V FKM	W WAFER	1 JIS 10K D DIN A ANSI	450 450mm ? 600 600mm

Installation, Operation and Maintenance Manual

"For details of Installation, Operation and Maintenance, please refer IOM at below link"

http://www.asahi-yukizai.co.jp/en/product/mt_pdf/a_manual_valve_3_02.pdf